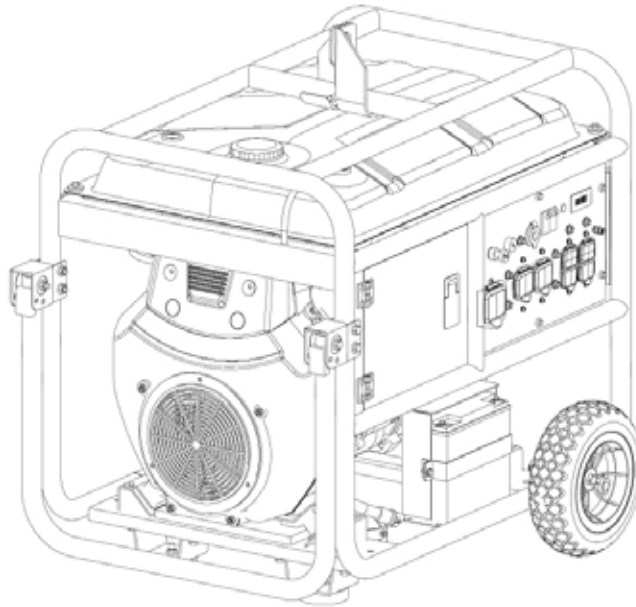




13KW PORTABLE GENERATOR



Model # 5613K
bit.ly/WENvideo


IMPORTANT:

Your new tool has been engineered and manufactured to WEN's highest standards for dependability, ease of operation, and operator safety. When properly cared for, this product will supply you years of rugged, trouble-free performance. Pay close attention to the rules for safe operation, warnings, and cautions. If you use your tool properly and for intended purpose, you will enjoy years of safe, reliable service.



NEED HELP? CONTACT US!

Have product questions? Need technical support?
Please feel free to contact us at:

 **800-232-1195** (M-F 8AM-5PM CST)

 **techsupport@wenproducts.com**

 **WENPRODUCTS.COM**

TABLE OF CONTENTS

Generator Identification.....	3
Service Record	3
Introduction	4
Safety Information	4
General Safety Procedures	5
Important Safety Instructions	6
Generator Components	7
Generator Preparation	10
Starting the Generator	13
Stopping the Generator	15
Subsequent Startings of the Generator,	15
Using the Generator	17
Maintenance & Care	20
Storage & Transport	23
Specifications	24
Troubleshooting	25
Exploded View and Parts List	26
Wiring Diagram	32
Warranty Statement	33

GENERATOR IDENTIFICATION

If assistance for information or service is required, please contact the Customer Service Help Line by calling 800-232-1195; customer will be asked to provide generator information when calling.

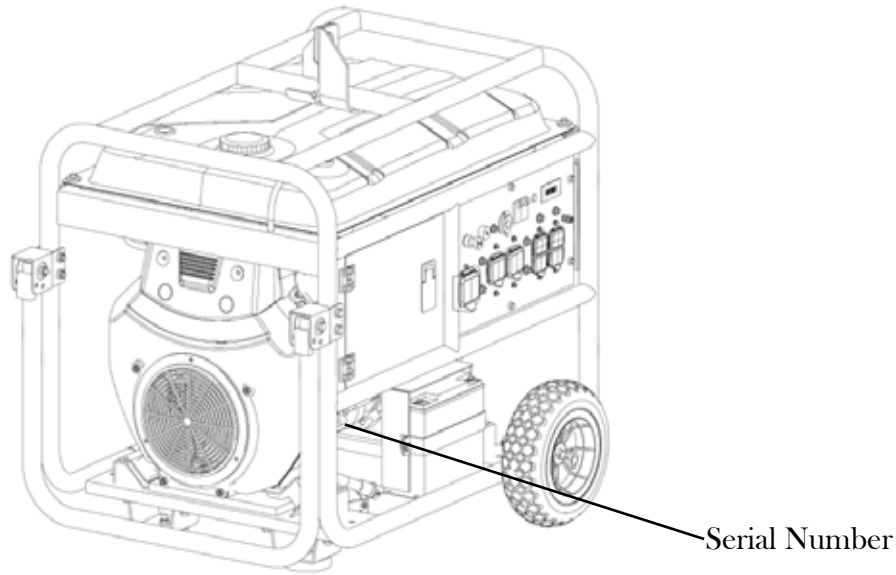
Refer to the illustration below for the location of the serial number. Record generator information in the spaces provided below.

DATE OF PURCHASE: _____

PURCHASED FROM: _____

GENERATOR MODEL NUMBER: 5613K

ENGINE SERIAL NUMBER: _____



SERVICE RECORD

Record Service Dates:

	Date	Date	Date	Date	Date	Date
Change Oil						
Change Spark Plug						
Clean Fuel Tank						
Clean Air Filter						
Charge battery (run the generator)						
Change Oil Filter						

INTRODUCTION

Thank You for Purchasing a WEN® Product. This manual provides information regarding the safe operation and maintenance of this product. Every effort has been made to ensure the accuracy of the information in this manual. WEN® reserves the right to change this product and specifications at any time without prior notice.

Please keep this manual available to all users during the entire life of the generator.



This manual contains special messages to bring attention to potential safety concerns, generator damage as well as helpful operating and servicing information. Please read all the information carefully to avoid injury and machine damage.

QUESTIONS? PROBLEMS?

In order to answer questions and solve problems in the most efficient and speedy manner, contact Customer Service at (800) 232-1195, M-F 8-5 CST

NOTICE REGARDING EMISSIONS

Engines that are certified to comply with U.S. EPA emission regulations for SORE (Small Off Road Equipment), are certified to operate on regular unleaded gasoline, and may include the following emission control systems: (EM) Engine Modifications and (TWC) Three-Way Catalyst (if so equipped).

SAFETY INFORMATION

Before operating this generator read and observe all warnings, cautions, and instructions on the generator and in this Owner's Manual.

NOTE: The following safety information is not meant to cover all possible conditions and situations that may occur. Read the entire Owner's Manual for safety and operating instructions. Failure to follow instructions and safety information could result in serious injury or death.

This safety alert symbol is used to identify safety information about hazards that can result in personal injury.



A signal word (**DANGER**, **WARNING**, or **CAUTION**) is used with the alert symbol to indicate the likelihood and the potential severity of injury. In addition, a hazard symbol may be used to represent the type of hazard.

DANGER indicates a hazard, which, if not avoided, will result in death or serious injury.

WARNING indicates a hazard, which, if not avoided, could result in death or serious injury.

CAUTION indicates a hazard, which, if not avoided, might result in minor or moderate injury.

CAUTION when used without the alert symbol, indicates a situation that could result in damage to the engine or generator.

GENERAL SAFETY PROCEDURES

For any questions regarding the hazard and safety notices listed in this manual or on the product, please call (800) 232-1195 M-F 8-5 CST before using the generator.

DANGER: CARBON MONOXIDE

Using a generator indoors **CAN KILL YOU IN MINUTES**. Generator exhaust contains carbon monoxide (CO). This is a poison gas you cannot see or smell. If you can smell the generator exhaust, you are breathing CO. But even if you cannot smell the exhaust, you could be breathing CO.

NEVER use a generator inside homes, garages, crawlspaces, or other partly enclosed areas. Deadly levels of carbon monoxide can build up in these areas. Using a fan or opening windows and doors does **NOT** supply enough fresh air. **ONLY** use a generator outside and far away from windows, doors, and vents. These openings can pull in generator exhaust.

Even if you use a generator correctly, CO may leak into the home. **ALWAYS** use a battery-powered or battery-backup CO alarm in the home. If you start to feel sick, dizzy, or weak after the generator has been running, move to fresh air **RIGHT AWAY**. See a doctor. You may have carbon monoxide poisoning.



WARNING: The exhaust from this product contains chemicals known to the State of California to cause cancer, birth defects, or other reproductive harm.



WARNING: This generator may emit highly flammable and explosive gasoline vapors, which can cause severe burns or even death if ignited. A nearby open flame can lead to explosion even if it isn't directly in contact with gasoline.

- Do not operate near an open flame.
- Do not smoke near generator.
- Always operate on a firm, level surface.
- Always turn generator off before refueling. Allow generator to cool for at least 2 minutes before removing fuel cap. Loosen cap slowly to relieve pressure in tank.
- Do not overfill fuel tank. Gasoline may expand during operation. Do not fill to the top of the tank. Allow for expansion.
- Always check for spilled fuel before operating.
- Empty fuel tank before storing or transporting the generator.



WARNING: This generator produces powerful voltage, which can result in electrocution.

- **ALWAYS** ground the generator before using it (see the “Ground the Generator” portion of the “GENERATOR PREPARATION” section).
- Generator should only be plugged into electrical devices, either directly or with an extension cord. **NEVER** connect to a building electrical system without a qualified electrician. Such connections must comply with local electrical laws and codes. Failure to comply can create a back-feed, which may result in serious injury or death to utility workers.
- Use a ground fault circuit interrupter (GFCI) in highly conductive areas such as metal decking or steel work. GFCIs are available in-line with some extension cords.
- Do not use in rainy conditions.
- Do not touch bare wires or receptacles (outlets).
- Do not allow children or non-qualified persons to operate.

GENERAL SAFETY PROCEDURES



WARNING: This generator produces heat when running. Temperatures near exhaust can exceed 150° F (65° C).

Do not touch hot surfaces. Pay attention to warning labels on the generator identifying hot parts of the machine.

Allow generator to cool down after use before touching engine or areas of the generator that become hot during use.

CAUTION: Misuse of this generator can damage it or shorten its life.

Only use generator for its intended purposes.

Operate only on dry, level surfaces.

Allow generator to run for several minutes before connecting electrical devices.

Shut off and disconnect any malfunctioning devices from generator.

Do not exceed the wattage capacity of the generator by plugging in more electrical devices than the unit can handle.

Do not turn on electrical devices until after they are connected to the generator.

Turn off all connected electrical devices before stopping the generator.

Turn the engine switch to “OFF” position when the engine is not running.

IMPORTANT SAFETY INSTRUCTIONS

SAVE THESE INSTRUCTIONS - This manual contains important instructions for the WEN® generator that should be followed during installation and maintenance of the generator.

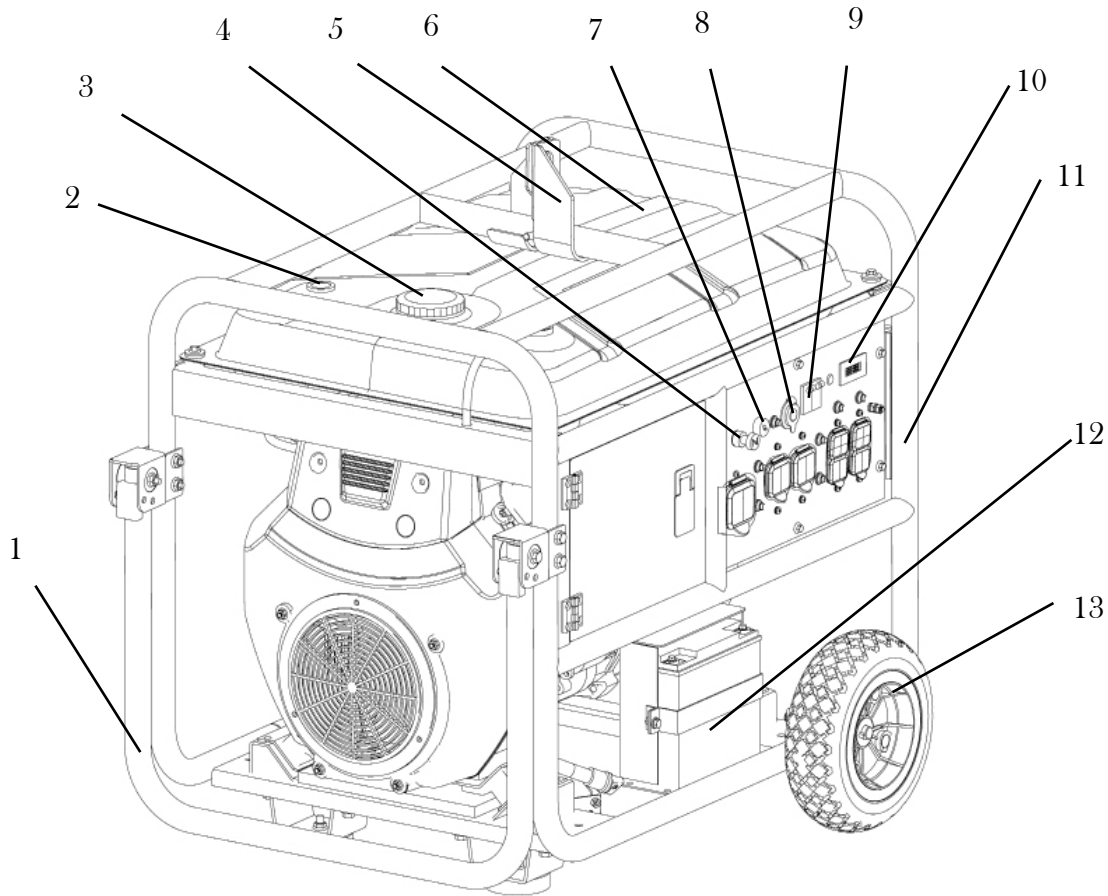
Generators vibrate in normal use. During and after the use of the generator, inspect both the generator as well as extension and power supply cords for damage resulting from vibration. Have damaged items repaired or replaced as necessary. Do not use plugs or cords that show signs of damage such as broken or cracked insulation.

For power outages, permanently installed stationary generators are better suited for providing backup power to the home. Even a properly connected portable generator can become overloaded. This may result in overheating or stressing of the components, possibly leading to a generator failure.

WARNING: If this generator is used as a supply for a building's wiring system, the generator must be installed by a qualified electrician and connected to a transfer switch as a separately derived system in accordance with the National Electrical Code, NFPA 70. The generator shall be connected to a transfer switch that switches all conductors excluding the equipment grounding conductor. The frame of the generator shall be connected to an approved grounding electrode.

GENERATOR COMPONENTS

Use the illustrations below to become familiar with the locations and functions of the various components and controls of this generator.



- | | | | |
|---|---------------|----|----------------------|
| 1 | Handle | 8 | 12 VDC Receptacle |
| 2 | Fuel Gauge | 9 | Circuit Breaker |
| 3 | Fuel Tank Cap | 10 | Hour / Voltage Meter |
| 4 | Choke Lever | 11 | Frame |
| 5 | Hook | 12 | Battery |
| 6 | Fuel Tank | 13 | Wheel |
| 7 | Switch | | |

ASSEMBLY

In order to best protect the generator while in the package, this product comes with some components disassembled. Please complete the following assembly steps before proceeding to use the generator. For ease of assembly, we recommend attaching the components in the order listed in this manual.

If after reading this section, you are unsure about how to perform any of the steps, please call (800) 232-1195 M-F 8-5 CST for customer service.

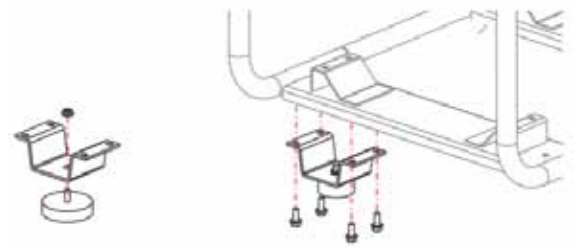


WARNING: This generator is heavy. Assembly procedures may require lifting equipment or two people.

ATTACH FEET

To attach the feet to the generator, perform the following steps:

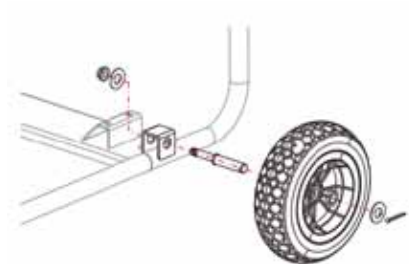
1. Find a wooden block or a similarly sturdy item that is at least three inches thick. Stack the end of the generator with the recoil starter onto the wooden block.
2. Setup both side feet as attached picture.



ATTACH WHEELS

To attach the wheels to the generator, perform the following steps:

1. Rest the exhaust end of the generator on the same wooden block used for attaching the feet.
2. Take one wheel shaft and one nut as shown. Slide the wheel shaft with the threaded part facing inward through the frame. Secure using the nut and a wrench.
3. Slide the wheel onto the axle and secure in place using a large cotter pin. Spread the pin legs apart slightly to help secure the pin in place.
4. Repeat steps 2 and 3 for the other wheel.



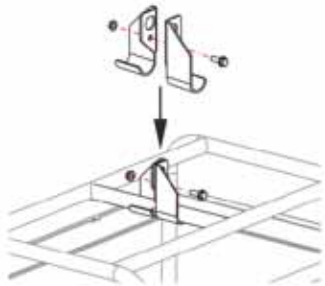
ASSEMBLY

ATTACH HANDLES

The handles attach to the generator frame on the same side as the recoil starter (left side when facing control panel). To attach the handles to the generator frame, perform the following steps:

1. Take one handle bracket and line up the holes in the handle bracket with the holes on the generator frame.
2. Slide two bolts through the holes in the handle bracket and generator frame to hold the handle onto the frame.
3. Secure the bolt in place with a nut.
4. Set up the hand on the handle bracket.
5. Repeat steps 1-4 for the other handle.

Handle Bracket



ATTACH HOOK

1. Attach the hooks to either side of the top center bar.
2. Fasten in place with a screw and bolt as shown in the figure to the left.

GENERATOR PREPARATION

USING THE GENERATOR FOR THE FIRST TIME



The following section describes steps necessary to prepare the generator for use. If after reading this section, you are unsure about how to perform any of the steps please call (800) 232-1195 M-F 8-5 CST for customer service. Failure to perform these steps properly can damage the generator or shorten its life.

Step 1 - ADD OIL

The generator is shipped without oil. User must add the proper amount of oil before operating the generator for the first time. The oil capacity of the engine crankcase is 50.7 fl. oz. For general use (above 40° F), we recommend 30W, 4-stroke engine oil.

ENGINE OIL RECOMMENDATIONS

Select good quality detergent oil bearing the American Petroleum Institute (API) service classifications SJ, SL, or SM (synthetic oils may be used). Use the ASE viscosity grade of oil from the following chart (Figure 1) that matches the starting temperature anticipated before the next oil changes.

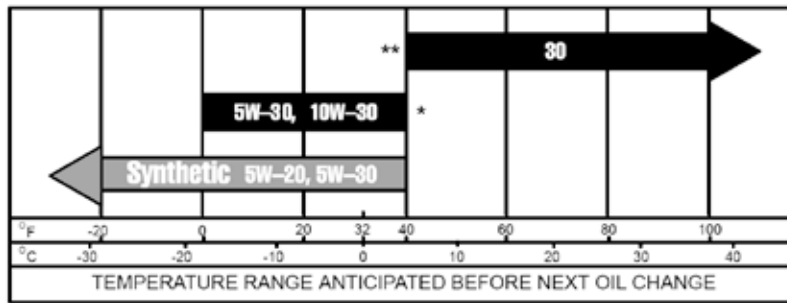


Figure 1 - Engine Oil Temperature Recommendations

To add oil, follow these steps:

1. Make sure the generator is on a level surface. Tilting the generator to assist in filling will cause oil to flow into engine areas and will cause damage. Keep generator level!
2. Open the door.
3. Remove the dipstick from the engine. (Figure 2)
4. Using a funnel or appropriate dispenser, add the correct amount of oil (50.7 fl.oz) into the crankcase. The engine is equipped with a low oil sensor and will not start if the amount of oil is insufficient.
5. To check the oil level, wipe the dipstick with a clean rag. Insert the dipstick into the oil fill opening without screwing it in. Remove the dipstick to check the oil mark.
6. Slowly add more oil and repeat step 4 until the oil mark reaches to the top of the dipstick (Figure 2). Do not overfill the crankcase. The generator is equipped with a low-oil sensor and will not start if the amount of oil is insufficient.
7. Check for oil leaks. Tighten dipstick firmly.



Figure 2 - Oil Fill Opening, Dipstick and Oil Level

GENERATOR PREPARATION

Step 2 - ADD GASOLINE



WARNING: This generator may emit highly flammable and explosive gasoline vapors, which can cause severe burns or even death if ignited. A nearby open flame can lead to explosion even if not directly in contact with gasoline.

Use fresh (within 30 days from purchase), lead-free gasoline with a minimum of 87 octane rating. Do not mix oil with gasoline.

Fuel tank capacity: 8 Gallons

To add gasoline, follow these steps:

1. Make sure the generator is on a level surface.
2. Unscrew fuel cap and set aside. **NOTE:** The fuel cap may be tight and hard to unscrew.
3. Slowly add unleaded gasoline to the fuel tank. Be careful not to overfill. The capacity of the fuel tank is 8 gallons. **NOTE:** Do not fill the fuel tank to the very top. Gasoline will expand and spill over during use even with the fuel cap in place.
4. Reinstall fuel cap and wipe clean any spilled gasoline with a dry cloth.

IMPORTANT:

- Never use an oil/gasoline mixture.
- Never use old gasoline.
- Avoid getting dirt or water into the fuel tank.
- Gasoline can age in the tank and make starting difficult. Never store generator for extended periods of time with fuel in the tank or the carburetor.
- Turn the fuel cock off and drain the fuel from the carburetor.

Step 3 - GROUND THE GENERATOR



WARNING: Failure to properly ground the generator can result in electrocution.

Ground the generator by tightening the grounding nut on the front control panel against a grounding wire (Figure 3). A generally acceptable grounding wire is a No. 12 AWG (American Wire Gauge) stranded copper wire. This grounding wire should be connected at the other end to a copper, brass, or steel-grounding rod that is driven into the earth. Wire and grounding rods are not included in generator contents.

Grounding codes can vary by location. Contact a local electrician to check the area codes.

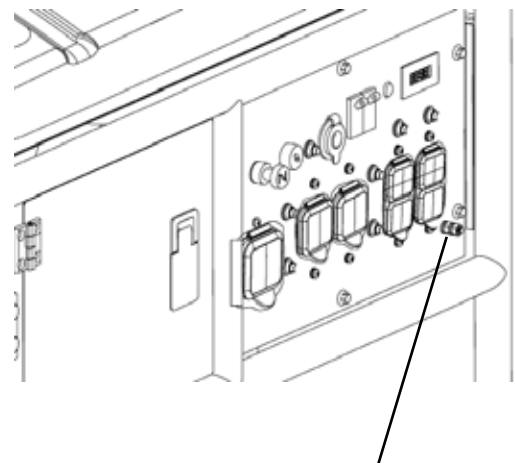


Figure 3 - Grounding Nut

GENERATOR PREPARATION

STEP 4 – CONNECT THE BATTERY

Battery: 12VDC 18AH



WARNING: Battery gives off explosive hydrogen gas.

- Keep battery away from spark, flame, or cigarette.
- Do not connect or disconnect battery while generator is running.
- Service or use battery only in well ventilated areas.



WARNING: Battery contains sulfuric acid. Battery acid is poisonous. Tilting the generator with the battery installed can cause battery acid to spill.

- Wear protective clothing and eyewear when servicing battery.
- Keep out of reach of children.
- Do not tilt generator with battery installed.
- If battery acid gets on your skin, wash with water immediately.
- If battery acid gets in your eyes, flush with water for at least 15 minutes and call a doctor immediately.

If battery acid is swallowed, drink a large amount of water or milk. Then drink milk of magnesia or vegetable oil. Call a doctor immediately.

The generator comes with the battery disconnected for safety. To use the electric start, the battery needs to be connected. To connect the battery:

1. Remove the protective covering from the free end of the negative battery cable. This cable is connected to the generator on the other end and is located in the vicinity of the battery.
2. Attach the free end of the negative cable to the battery and secure the connection.

CAUTION: If you do not plan to use the generator for a long period of time, disconnect the battery cables from the battery for storage. After disconnecting the cable, cover the free end with an insulator such as electrical tape.

CAUTION: To ensure the battery maintains a charge, it is best to routinely run the generator at least once a month.

If for some reason the generator battery should die, use a 12V trickle battery charger found at any automotive retailer to jump start the battery. Remove the battery from the generator by dis

WARNING: DO NOT CONNECT THE CAR BATTERY DIRECTLY TO THE GENERATOR BATTERY WHEN THE CAR IS RUNNING.

NOTE: After completing the 4-step Generator Preparation, the generator is ready to be started.

STARTING THE GENERATOR

Before starting the generator, make sure you have read and performed the steps in the “Generator Preparation” section of this manual. If you are unsure about how to perform any of the steps in this manual please call (800)232-1195 M-F 8-5 CST for customer service.



DANGER: CARBON MONOXIDE.

Using a generator indoors **CAN KILL YOU IN MINUTES.**

Generator exhaust contains carbon monoxide (CO). This is a poison gas you cannot see or smell. If you can smell the generator exhaust, you are breathing CO. Even if you cannot smell the exhaust, you may be breathing CO.

NEVER use a generator inside homes, garages, crawlspaces, or other partly enclosed areas. Deadly levels of carbon monoxide can build up in these areas. Using a fan or opening windows and doors does **NOT** supply enough fresh air.

ONLY use a generator outside and far away from windows, doors, and vents. These openings can pull in generator exhaust. Even if you use a generator correctly, CO may leak into the home. **ALWAYS** use a battery-powered or battery-backup CO alarm in the home.

If you start to feel sick, dizzy, or weak after the generator has been running, move to fresh air **RIGHT AWAY**. See a doctor. You may have carbon monoxide poisoning.



WARNING: This generator produces powerful voltage, which can result in electrocution.

ALWAYS ground the generator before using it (see the “Ground the Generator” portion of the “Generator Preparation” section).

- Generator should only be plugged into electrical devices, either directly or with an extension cord. **NEVER** connect to a building electrical system without a qualified electrician. Such connections must comply with local electrical laws and codes. Failure to comply can create a back-feed, which may result in serious injury or death to utility workers.

- Use a ground fault circuit interrupter (GFCI) in highly conductive areas such as metal decking or steel work. GFCIs are available in-line with some extension cords.

- Do not use in rainy or wet conditions.

- Do not touch bare wires or receptacles (outlets).

- Do not allow children or non-qualified persons to operate.

CAUTION: Disconnect all electrical loads from the generator before attempting to start.

STARTING THE GENERATOR

STARTING THE ENGINE

To start the generator, perform the following steps:

1. Make sure no electrical devices are connected to the generator. Such devices can make it difficult for the engine to start.
2. Check that the generator is properly grounded (see Figure 3, “Ground the Generator”).
3. Check the oil and gas levels.
4. Turn the fuel valve to the “ON” position (Figure 4).
5. Pull the choke rod to the “Start” position.
6. Set the engine switch to the “ON” position.
7. Turn the engine switch to the “START” position for 2-3 seconds or until the engine starts. **NOTE:** If the engine does not start after 2-3 seconds, release the switch from the start position. Keeping the switch in the START position too long can damage the starter.
8. If engine fails to start, wait 10 seconds, then repeat step 7. **NOTE:** After repeated attempts to start the engine, please consult the troubleshooting guide before attempting again. If problems persist please call (800) 232-1195 M-F 8-5 CST.
9. Once the engine has started. Slowly move the choke lever all the way to the “Run” position.

Allow the generator to run for several minutes before attempting to connect any electrical devices. This allows the generator to stabilize its speed and temperature.

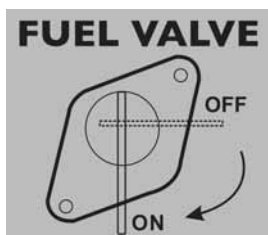
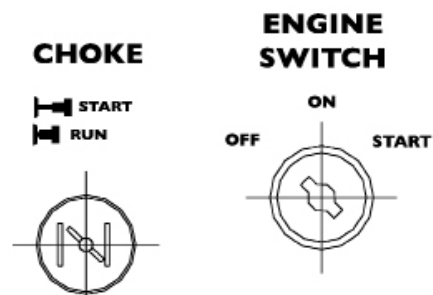


Figure 4 - Fuel Valve



STOPPING THE GENERATOR

TO STOP THE GENERATOR

1. Turn off all electrical devices prior to unplugging them from the generator. Unplugging running devices can cause damage to the generator.
2. Turn the “ON/OFF” switch to the “OFF” position.
3. Turn the fuel valve to the “OFF” (horizontal) position.



WARNING: Allow the generator to cool for several minutes before touching areas that become hot during use.

CAUTION: Allowing gasoline to sit in the fuel tank for long periods of time can make it difficult to start the generator in the future. Never store the generator for extended periods of time with fuel in the fuel tank. Refer to Generator Storage Section.

SUBSEQUENT STARTING OF THE GENERATOR

If this is not the first time using the generator, the user should take the following steps to prepare it for operation.



IMPORTANT: At this point the user should be familiar with the procedures described in the sections titled “Starting the Generator” and “Generator Preparation.” If the user has not yet read these sections, go back and read them now.

Step 1 - CHECK THE OIL

Oil consumption is normal during generator use. The generator is equipped with a low oil level shutoff to protect it from damage. The oil level of the engine should be checked before each use to ensure that the engine crankcase contains sufficient lubricant.

To check or add oil, follow these steps:

1. Make sure the generator is on a level surface. Clean around oil fill.
2. Remove the oil filler/dipstick cap and check the oil level.
3. If oil level is below the second thread from the lip of the oil fill opening, slowly add oil until the engine crankcase is filled. Do not tilt the generator when adding oil.
4. Reinstall and tighten oil cap before starting the engine.

Step 2 - CHECK THE FUEL LEVEL

Before starting the generator, check to see that there is sufficient gasoline in the fuel tank. Add additional gasoline as necessary but leave sufficient room in the tank for expansion.

SUBSEQUENT STARTING OF THE GENERATOR



WARNING: This generator may emit highly flammable and explosive gasoline vapors, which can cause severe burns or even death if ignited. A nearby open flame can lead to an explosion even if it is not directly in contact with fuel.

- Do not operate near open flames.
- Do not smoke near the generator.
- Always operate on a firm, level surface.
- Always turn the generator off before refueling. Allow generator to cool for at least 2 minutes before removing the fuel cap. Loosen cap slowly to relieve pressure in tank.
- Do not overfill fuel tank. Gasoline may expand during operation. Do not fill to the top of the tank. Allow for expansion.
- Always check for spilled fuel before operating. Clean up any spilled fuel before starting.
- Empty the fuel tank before storing or transporting the generator.
- Before transporting, turn fuel valve to off position.

IMPORTANT:

- Use only UNLEADED gasoline.
- Do not use old gasoline.
- Never use an oil/gasoline mixture.
- Avoid getting dirt or water into the fuel tank.

Step 3 - GROUND THE GENERATOR



WARNING: Failure to properly ground the generator can result in electrocution.

Ground the generator by tightening the grounding nut on the front control panel against a grounding wire (Figure 3). A generally acceptable grounding wire is a No. 12 AWG (American Wire Gauge) stranded copper wire. This grounding wire should be connected at the other end to a copper, brass, or steel-grounding rod that is driven into the earth. Wire and grounding rod are not included in generator contents.

Grounding codes can vary by location. Contact a local electrician for area codes.

USING THE GENERATOR

WARNING: When this generator is used on a building's wiring system, the generator must be installed by a qualified electrician and connected to a transfer switch as a separately derived system in accordance with the National Electrical Code, NFPA 70. The generator shall be connected to a transfer switch that switches all conductors other than the equipment grounding conductor. The frame of the generator shall be connected to an approved grounding electrode.

For power outages, permanently installed stationary generators are better suited for providing backup power to the home. Even a properly connected portable generator can become overloaded. This may result in overheating or stressing the machine's components, possibly leading to a generator failure.

Before connecting electrical devices, allow the generator to run for a few minutes to stabilize the speed and voltage output.

CAUTION: Become familiar with the markings on the panel before connecting electrical devices.

AC USAGE

Connect electrical devices running on AC current according to their wattage requirements. The chart in Figure 6 shows the rated and surge wattage of the generator.

The rated (running) wattage is the wattage the generator can produce on a continuous basis.

The surge wattage is the maximum amount of power the generator can produce for an extremely short period of time (seconds). Many electrical devices such as refrigerators require short bursts of extra power in addition to the rated wattage listed by the device to start their motors. The surge wattage ability of the generator covers this extra power requirement.

Item	Rated (Running) Wattage	Surge Wattage
5613K	11000	13000

Figure 6 - Generator Wattage

The total running wattage requirement of the electrical devices connected to the generator should not exceed the rated wattage of the generator itself. To calculate the total wattage requirement of the electrical devices you plan to connect, find the rated (or running) wattage of each device. This number should be listed somewhere on the device or in its instruction manual. If this wattage cannot be found, calculate it by multiplying the Voltage requirement by the Amperage drawn:

$$\text{Watts} = \text{Volts} \times \text{Amperes}$$

If these specifications are not available, estimate the watts requirement of the device by using the chart in Figure 7.

When the rated wattage requirement of each electrical device has been determined, add these numbers to find the total rated wattage needed. If this number exceeds the rated wattage of the generator, **DO NOT** connect all these devices. Select a combination of electrical devices, which have a total rated wattage lower than or equal to the rated wattage of the generator.

USING THE GENERATOR

CAUTION: The generator can run at its surge wattage capacity for only a short time. Connect electrical devices requiring a rated (running) wattage equal to or less than the rated wattage of the generator. Never connect devices requiring a rated wattage equal to the surge wattage of the generator. This can trip the circuit protectors (circuit breakers).

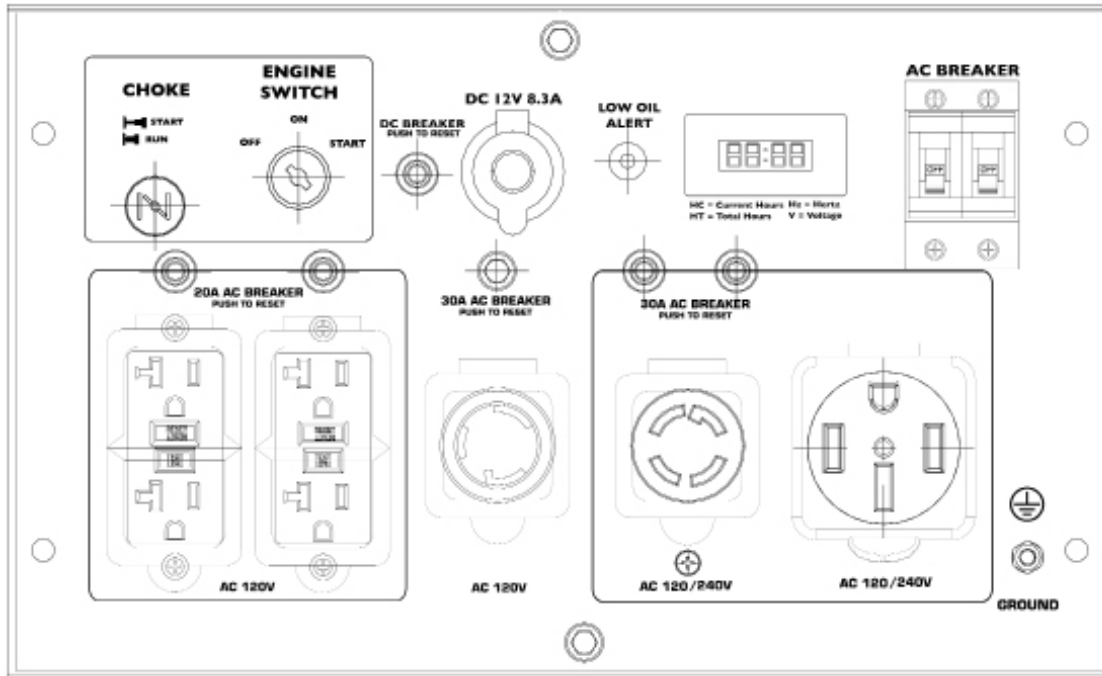
Tool or Appliance	Rated (Running) Watts	ADDITIONAL SURGE WATTS
Electric water heater (40 Gal)	4000	0
Hot plate	2500	0
Saw - radial arm	2000	2000
Electric stove (each element)	1500-2800	0
Saw - circular	1500	1500
Air compressor (1 HP)	1500	3000
Window air conditioner	1200	1800
Saw - miter	1200	1200
Microwave	1000	0
Well water pump	1000	1000
Saw - reciprocating	960	1040
Sump pump	800	1200
Refrigerator freezer	800	1200
Furnace blower	800	1300
Computer	800	0
Electric drill	600	900
Television	500	0
Deep freezer	500	500
Garage door opener	480	0
Stereo	400	0
Box fan	300	600
Clock radio	300	0
Security system	180	0
DVD player / VCR	100	0
Common light bulb	75	0

Figure 7- Estimated wattage requirements of common electrical devices

Note: The above wattage figures are estimates. Check the wattage listed on the electrical device before consulting this chart. Once the electrical devices that will be powered by the generator have been determined, plug in each electrical device, making sure that the device is turned off.

CAUTION: Do not connect 50Hz loads to the generator.

USING THE GENERATOR



SOME NOTES ABOUT POWER CORDS

Long or thin cords can drain the power provided to an electrical device by the generator. When using such cords, allow for a slightly higher rated wattage requirement by the electrical device. See Figure 8 for recommended cords based on the power requirement of the electrical device.

Device Requirements		Max. Cord Length (ft) by Wire Gauge				
Amps	Watts (120V)	#8 wire	#10 wire	#12 wire	#14 wire	#16 wire
2.5	300	NR	NR	NR	375	250
5	600	NR	NR	300	200	125
7.5	900	NR	350	200	125	100
10	1200	NR	250	150	100	50
15	1800	NR	150	100	65	NR

*NR = Not Recommended

Figure 8 - Maximum Extension Cord Lengths by Power Requirement

If an overload occurs, shut down the generator. Unplug all electrical devices and wait five minutes. Then, start the unit back up again to get power back.

DC USAGE

This Generator is equipped with a 12V DC receptacle. The maximum draw for this DC outlet is 8.3 Amps. The 12V DC receptacle is not intended to charge automotive batteries.

MAINTENANCE & CARE

Proper routine maintenance of the generator will help prolong the life of the machine. Please perform maintenance checks and operations according to the schedule in Figure 9.

If there are any questions about the maintenance procedures listed in this manual, please call (800) 232-1195 M-F 8-5CST.

CAUTION: Never perform maintenance operations while the generator is running.

Recommended Maintenance Schedule		Each 8 hours or daily	First 8 hours	Every 25 hours	Every 3 months or 50 hours	Every 6 months or 100 hours	Every 200 Hours	Every year	As necessary
Engine oil	Check level	x							
	Replace		x	x*	x*				x
Air cleaner cartridge	Check			x		x			
	Clean					x			
Spark plug	Check/clean					x			
	Change							x	x
Fuel tank	Check level	x							
	Clean							x	
Oil Filter	Replace						x		

Figure 9 - Recommended maintenance schedule

* Clean/change more often under dusty conditions or operating under heavy load.

CLEANING THE GENERATOR

Never clean the generator when it is running! Never clean with a bucket of water or a hose. Water can get inside the working parts of the generator and cause a short circuit or corrosion.

Always try to use the generator in a cool, dry place. If the generator becomes dirty, clean the exterior with a damp cloth, a soft brush, a vacuum or compressed air.

CHECKING THE OIL

Check the oil level of the generator according to the Recommended Maintenance Schedule in Figure 9. The generator is equipped with an automatic shutoff to protect it from running on low oil. The generator should be checked before each use for proper oil level. This is a critical step for proper engine starting. To check the oil level:

1. Make sure the generator is on a level surface.
2. Clean around oil fill. Remove dipstick and wipe the dipstick with a clean rag. Insert the dipstick into the oil fill opening without screwing in. Remove the dipstick to check the oil mark. Add oil if the oil mark covers less than one half of the dipstick.
3. Slowly add more oil and repeat step 2 until the oil mark reaches to the top of dipstick (Figure 10). Do not over fill the crankcase.
4. Reinstall oil dipstick.

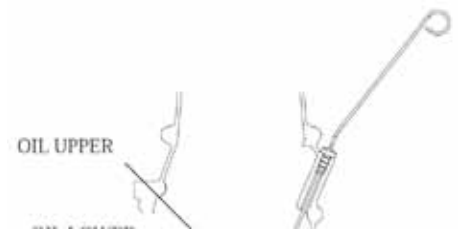


Figure 10 - Oil Fill Opening, Dipstick and Oil Level

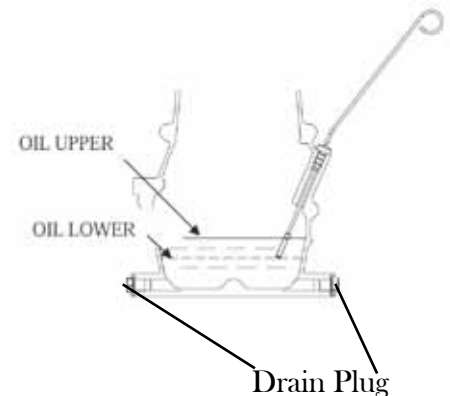
MAINTENANCE & CARE

CHANGING/ADDING OIL

Change the oil according to the Recommended Maintenance Schedule in Figure 9. Change the oil when the engine is warm. This will allow for complete drainage. Change oil more often if operating under heavy load or high ambient temperatures. It is also necessary to drain the oil from the crankcase if it has become contaminated with water or dirt. The oil capacity of the generator engine is 50.7 fl.oz. Add oil when the oil level is low. For proper type and weight of oil refer to “add oil” portion of the “Generator Preparation” section.

To drain oil, follow these steps:

1. Place a container underneath the engine to catch oil as it drains.
2. Using a 10 mm hex wrench, unscrew the oil drain plug. Allow all the oil to drain from the engine.
3. Reinstall the oil drain plug and tighten with a 10 mm hex wrench.



To refill the crankcase with oil, follow these steps:

1. Make sure the generator is on a level surface. Tilting the generator to assist in filling will cause oil to flow into engine areas and will cause damage. Keep generator level!
2. Remove the dipstick from the engine.
3. Using a funnel or appropriate dispenser, add the correct amount of oil (50.7 fl.oz) into the crankcase. The engine is equipped with a low oil sensor and will not start if the amount of oil is insufficient.
4. Reinstall dipstick.

NOTE: Never dispose of used motor oil in the trash or down a drain. Please call a local recycling center or auto garage to arrange oil disposal.

AIR CLEANER MAINTENANCE

Routine maintenance of the air cleaner helps maintain proper airflow to the carburetor. Running the engine with dirty, damaged or missing air cleaner element will cause the engine to wear out prematurely. Occasionally check that the air cleaner is free of excessive dirt. Refer to Recommended Maintenance Schedule in Figure 9. For air cleaner detail, refer to Figure 11.

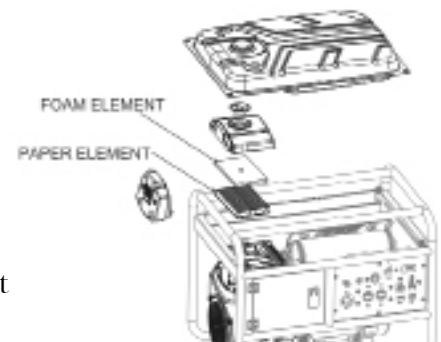


Figure 11 - Air Cleaner

1. Turn fuel valve off, disconnect the fuel line of the fuel valve, then remove the fuel tank.
2. Open the air cleaner clip and open the air cleaner cover.
3. Check and clean the air cleaner element, replace with a new one if the element is damaged. A good element can be washed in soapy water, dried and reused. There is no need to add oil to the element.
4. Wipe off excessive oil from the air cleaner case. A small amount of oil in the element is normal and necessary for the engine to work properly.
5. Reinstall the air cleaner element and cover.

MAINTENANCE & CARE

FUEL FILTER CUP CLEANING

The fuel filter cup is a small well underneath the fuel valve. It helps to trap dirt and water that may be in the fuel tank before it can enter the engine. To clean the fuel filter cup:

1. Turn the fuel valve to the “OFF” position.
2. Unscrew the fuel filter cup from the fuel valve using a wrench. Turn the valve toward you and unscrew (See Figure 12).
3. Clean the cup of all sediments using a rag or brush.
4. Reinstall the fuel filter cup.



Figure 12 Removing the Fuel Filter Cup

SPARK PLUG MAINTENANCE

Spark plug: Torch F5RTC

The spark plug is important for proper engine operation. A good spark plug should be intact, free of deposits, and properly gapped. Refer to Recommended Maintenance Schedule in Figure 9. To inspect the spark plug:

1. Remove spark plug boot. Be careful not to tear insulation or wire.
2. Unscrew the spark plug from the engine using the spark plug wrench provided. There is limited space for the wrench to turn. Use both rows of holes in the spark plug wrench to gain leverage to loosen the plug.
3. Visually inspect the spark plug for cracks or excessive electrode wear. Replace as necessary.
4. Measure the plug gap with a wire gauge. The gap should be 0.7 to 0.8 mm (0.028-0.031 in).
5. If re-using the spark plug, use a wire brush to clean any dirt from around the spark plug base then re-gap the spark plug.
6. Screw the spark plug back into the spark plug hole using the spark plug wrench. Do not over-tighten spark plug. Recommended tightening of spark plug is $\frac{1}{2}$ to $\frac{3}{4}$ of a turn after spark plug gasket contacts spark plug hole. Reinstall the spark plug boot.

OIL FILTER MAINTENANCE

Every 200 hours of use, make sure to change out your oil filter. The oil filter can be found on the back of the generator at the base of the engine, as shown in figure 13.

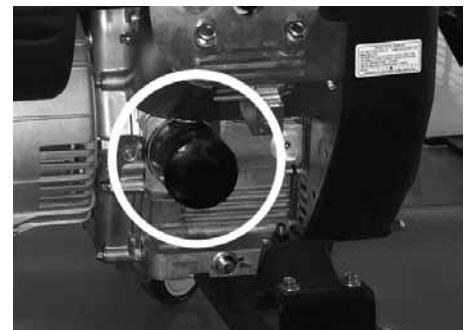


Figure 13 Oil Filter Location

MAINTENANCE & CARE

DRAINING THE FUEL TANK

Clean fuel tank each year or before storing the generator for extended periods of time. To drain the fuel tank and carburetor:

1. Turn the fuel valve to the “OFF” position.
2. Remove the fuel line between the fuel valve and carburetor. **CAUTION:** A small amount of fuel may leak from the hose during removal.
3. Attach a fuel line (not included with the generator) to the exposed end of the fuel valve.
4. Position fuel line into an appropriate container and open the fuel valve allowing fuel to flow into the container.
5. Once fuel is drained, shut off the fuel valve.
6. Start and run the engine until fuel runs out.
7. Remove the fuel filter cup (See “FUEL FILTER CUP CLEANING”).
8. Empty the fuel filter cup of any fuel and clean.
9. Reinstall the fuel filter cup.
10. Store the emptied gasoline in a suitable place.

CAUTION: Do not store fuel for more than 3 months.

STORAGE & TRANSPORT PROCEDURES

CAUTION: Never place any type of storage cover on the generator while it is still hot.

If the generator is being stored for short periods of time (30 to 60 days), add stabilized fuel to the fuel tank until full. **NOTE:** Filling the tank reduces the amount of air in the tank and helps reduce deterioration of fuel. Run the engine for 2 - 3 minutes allowing stabilized fuel mixture to circulate through the carburetor.

When storing the generator for extended periods of time:

- Drain the fuel tank (see “Draining the Fuel Tank” in the “Maintenance” section).
- Change oil.
- Do not obstruct any ventilation openings.
- Keep the generator in a cool dry area.

When transporting generator:

- Tighten fuel cap and vacuum relief valve. Drain the fuel tank if possible (see “Draining the Fuel Tank” in the “Maintenance” section).
- Keep the generator upright.

SPECIFICATIONS

DC output

Rated Voltage	12 V DC
Rated Amperage	8.3 A
Rated Wattage	100 W

AC output

Rated Wattage	11000 Watts
Surge Wattage	13000 Watts
Rated Voltage	120V / 240V
Rated Amperage	91.6A / 45.8A
Frequency	60 Hz
Phase	Single
Dimensions	Length: 32.50 inches
	Width: 23.625 inches
	Height: 27 inches
Weight	330 lbs

Engine

Engine type	4 stroke, OHV, twin cylinder with forced air cooling system
Spark plug gap	0.7 - 0.8 mm (0.028 - 0.031 in)
Spark plug torque	1/2 - 3/4 turn after gasket contacts base or 15 ft.lb
Displacement	670 cc
Fuel tank capacity	8 gallons 87 octane minimum
Oil capacity	50.7 fl.oz
Lubrication system	Oil Pump
Run time on 50% load	7.5 hours
Noise rating	82 dB at 22 feet
Spark plug	Torch F5RTC

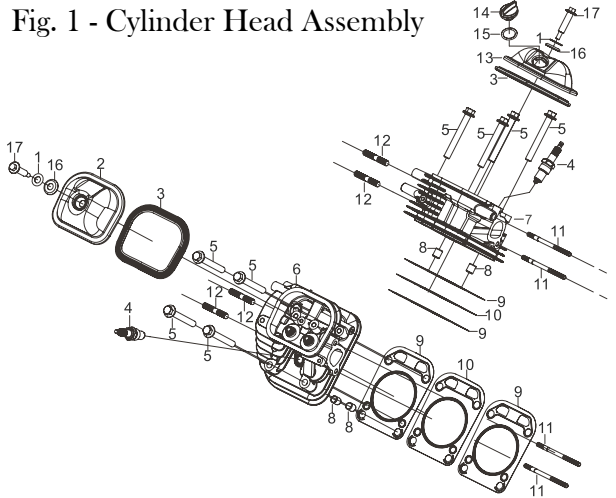
TROUBLESHOOTING

IMPORTANT: If trouble persists, please call our customer help line at (800) 232-1195 M-F 8-5 Central Time.

PROBLEM	CAUSE	SOLUTION
Engine will not start.	Engine switch is set to OFF.	Set engine switch to ON.
	Fuel valve is turned to OFF.	Turn fuel valve to ON position.
	Choke is open.	Close the choke.
	Engine is out of gas.	Add gas.
	Engine is filled with contaminated or old gas.	Change the gas in the tank.
	Spark plug is dirty.	Clean the spark plug.
	Spark plug is broken.	Replace spark plug.
	Generator is not on a level surface.	Move the generator to a level surface to prevent low oil shutdown from triggering.
	Oil is low.	Add or replace oil.
Engine runs but there is no electrical output.	Circuit reset button is off.	Wait for two minutes and push the circuit reset button to the ON position.
	Bad connecting wires/cables.	If you are using an extension cord, use a different one.
	Bad electrical device connected to the generator.	Try connecting a different device.
Generator runs but does not support all electrical devices connected.	Generator is overloaded.	Perform these steps: 1. Turn off all electrical devices. 2. Unplug all electrical devices. 3. Turn off generator. 4. Wait several minutes. 5. Restart generator. 6. Try connecting few electrical loads to the generator.
	Short in one of the devices.	Try disconnecting any faulty or short-circuited electrical loads.
	Air cleaner is dirty.	Clean or replace air cleaner.
DC No Power	Power cord plug not securely in place.	Twist and push the power cord plug into receptacle until contact is made with bottom of the receptacle.
	Protective fuse is blown.	Contact our customer service help line at 800-232-1195.

EXPLODED VIEW AND PARTS LIST

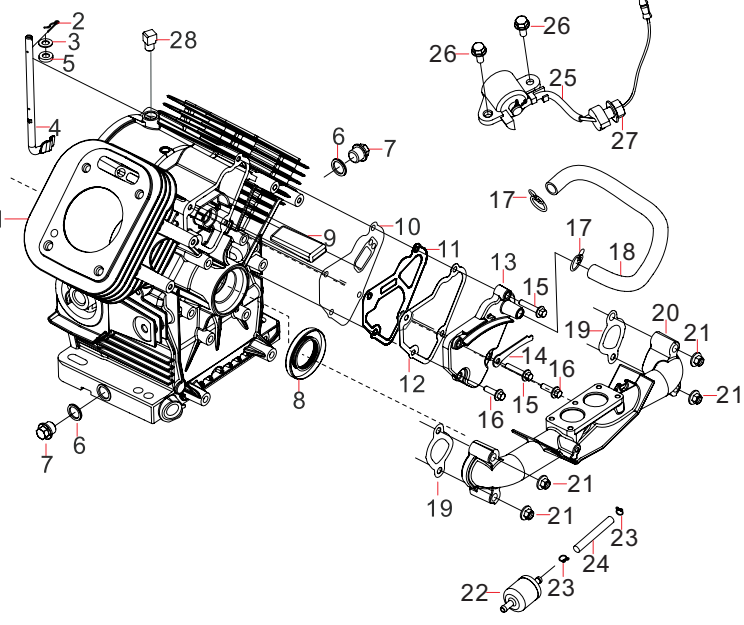
Fig. 1 - Cylinder Head Assembly



No.	Part Number	Description
1-1	5613K-0101	Cylinder Head Cover Washer
1-2	5613K-0102	Cylinder Head Cover
1-3	5613K-0103	Head Cover Gasket
1-4	5613K-0104	Spark Plug
1-5	5613K-0105	Cylinder Head Bolt
1-6	5613K-0106	Left Cylinder Head
1-7	5613K-0107	Right Cylinder Head
1-8	5613K-0108	Bushing
1-9	5613K-0109	Head Gasket
1-10	5613K-0110	Middle Gasket
1-11	5613K-0111	Right Studs
1-12	5613K-0112	Left Stud
1-13	5613K-0113	Right Cylinder Head Cover
1-14	5613K-0114	Engine Oil Plug
1-15	5613K-0115	Oil Seal
1-16	5613K-0116	Cylinder Head Washer
1-17	5613K-0117	Cylinder Head Bolt

No.	Part Number	Description
2-1	5613K-0201	Crankcase Assembly
2-2	5613K-0202	Cotter Pin
2-3	5613K-0203	Flat Washer
2-4	5613K-0204	Governor
2-5	5613K-0205	Washer
2-6	5613K-0206	Oil Seal Washer
2-7	5613K-0207	Oil Drain Plug
2-8	5613K-0208	Oil Seal
2-9	5613K-0200 Breather Assembly	Breather Filter
2-10		Breather Backing Plate
2-11		Breather Back Gasket
2-12		Breather Front Gasket
2-13		Breather Cover
2-14		Clamp
2-15		Bolt
2-16	Bolt	
2-17	Clamp	
2-18	5613K-0218	Breather Tube
2-19	5613K-0219	Intake Gasket
2-20	5613K-0220	Intake
2-21	5613K-0221	Nut
2-22	5613K-0222	Fuel Filter
2-23	5613K-0223	Hose Clamp
2-24	5613K-0224	Fuel Hose
2-25	5613K-0225	Oil Sensor
2-26	5613K-0226	Bolt
2-27	5613K-0227	Nut
2-28	5613K-0228	Block

Fig. 2 - Crankcase



EXPLODED VIEW AND PARTS LIST

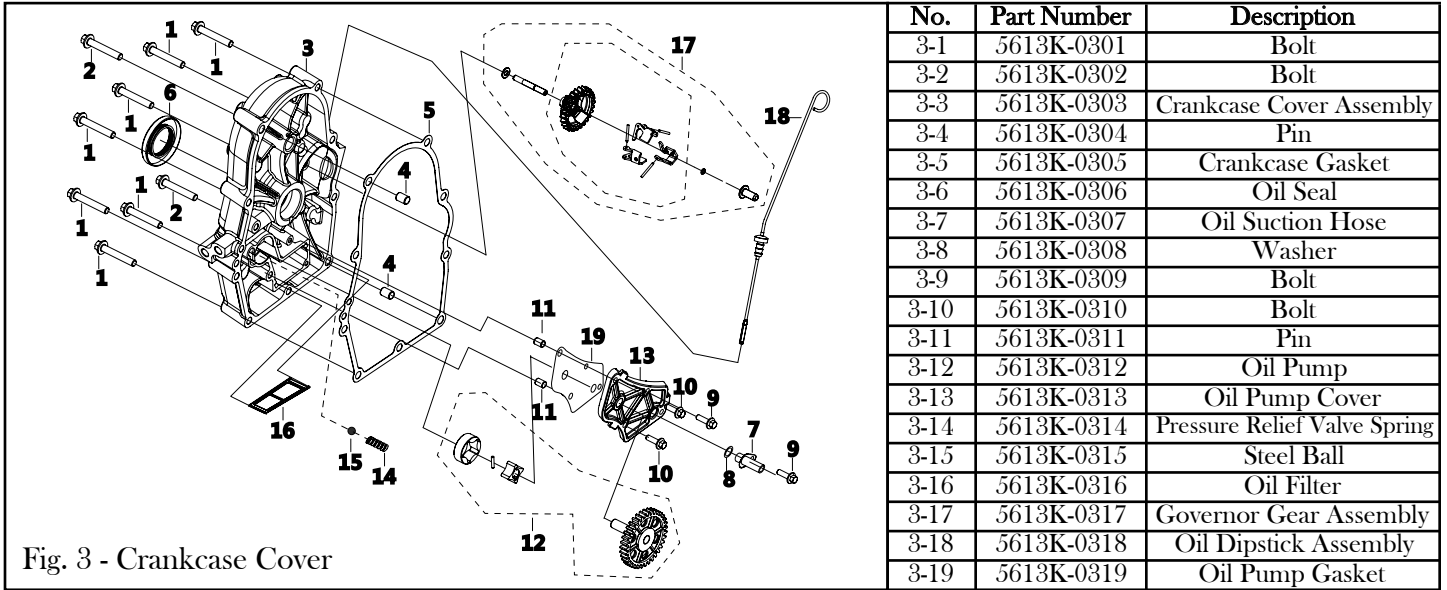


Fig. 3 - Crankcase Cover

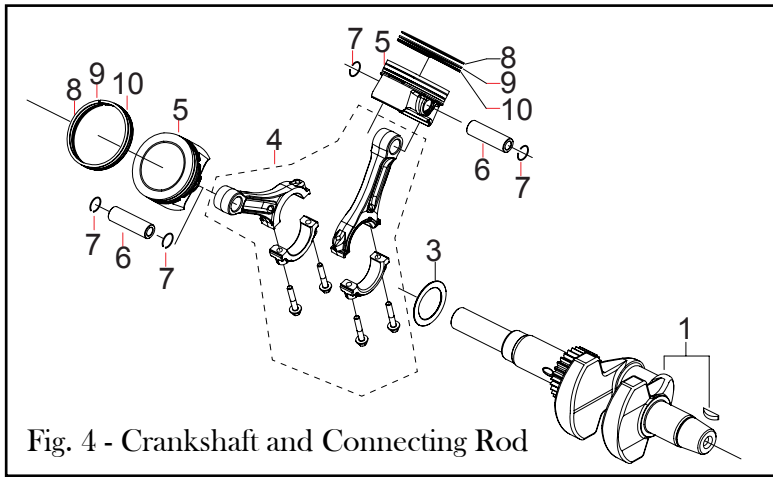


Fig. 4 - Crankshaft and Connecting Rod

No.	Part Number	Description
5-1	5613K-0500	Valve Rocker
5-2		Valve Rocker Shaft
5-3		Valve Lifter
5-4		Valve Tappet
5-5	5613K-0515	Valve Clamp
5-6		Valve Spring Seat
5-7		Valve Spring Seat
5-8		Seal Guide
5-9		Valve Spring Retainer
5-10		Valve
5-11	5613K-0520	Camshaft Assembly
5-12	Camshaft	Camshaft Washer

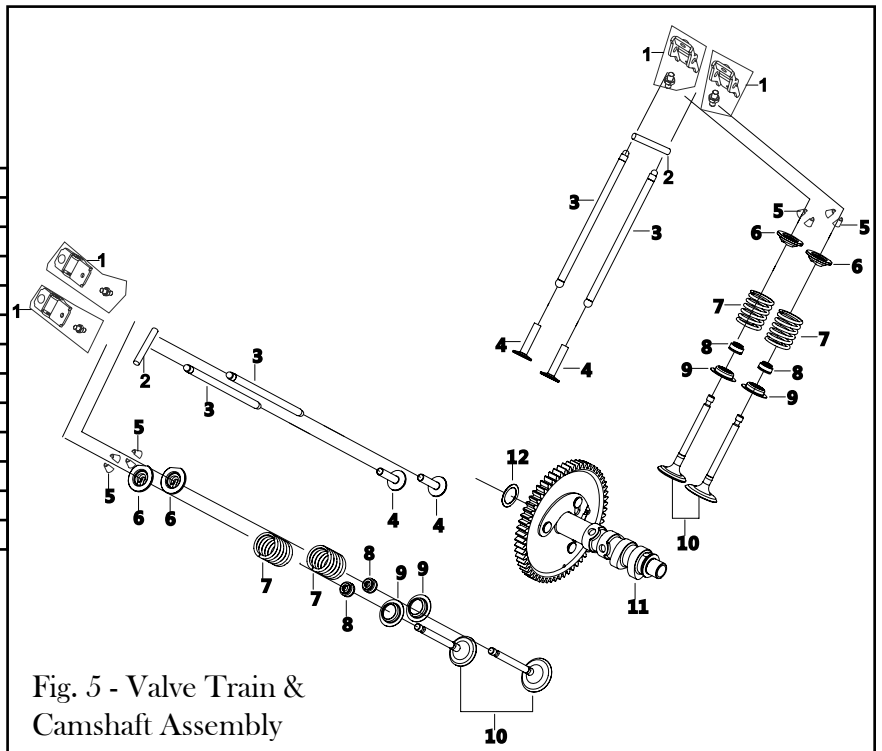


Fig. 5 - Valve Train & Camshaft Assembly

EXPLODED VIEW AND PARTS LIST

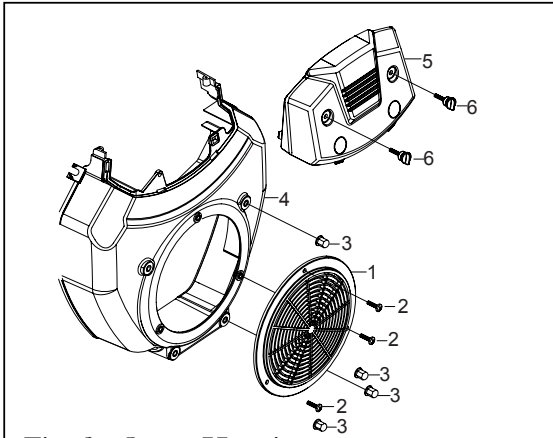


Fig. 6 - Outer Housing

No.	Part Number	Description
6-1	5613K-0600 Outer Shroud Assembly	Shroud Shield
6-2		Screw
6-3		Nut
6-4		Shroud Assembly
6-5	5613K-0605	Fan Shield
6-6	5613K-0606	Lock Handle

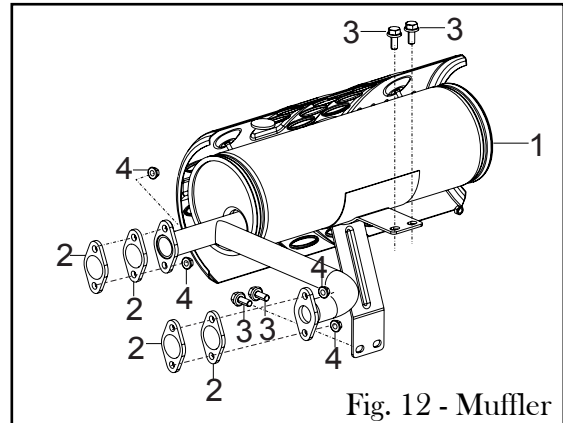


Fig. 12 - Muffler

No.	Part Number	Description
12-1	5613K-1201	Muffler Assembly
12-2	5613K-1202	Exhaust Outlet Gasket
12-3	5613K-1203	Bolt
12-4	5613K-1204	Nut

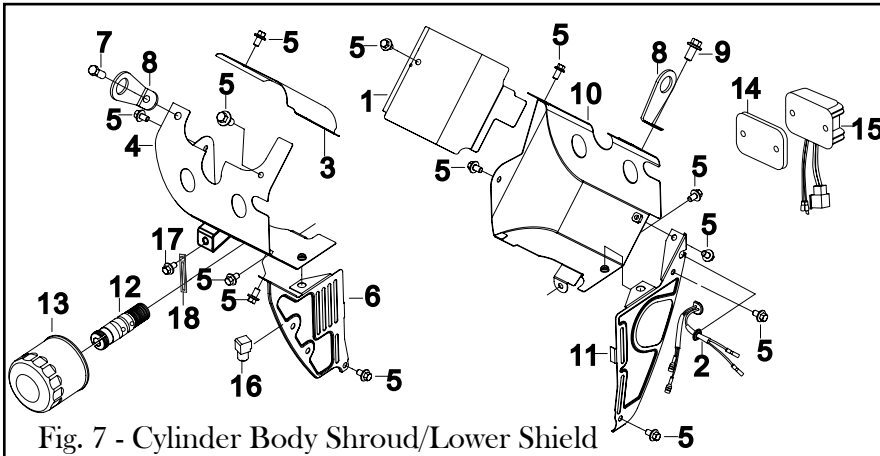


Fig. 7 - Cylinder Body Shroud/Lower Shield

No.	Part Number	Description	
7-1	5613K-0700 Shroud Assembly	Cylinder Body Shroud 2	
7-2		Ignition Coil Shutoff Wire	
7-3		Cylinder Body Shroud 1	
7-4		Left Shield Underside	
7-5		Bolt	
7-6		Left Crankcase Shield	
7-7		Flange Bolt	
7-8		Lug	
7-9		Flange Bolt	
7-10		Right Shield Underside	
7-11		Right Crankcase Shield	
7-12		Oil Filter Tube	
7-13		Extra Oil Filter	
7-14		5613k-0714	Regulator Board
7-15		5613k-0715	Voltage Regulator
7-16		5613k-0716	Block

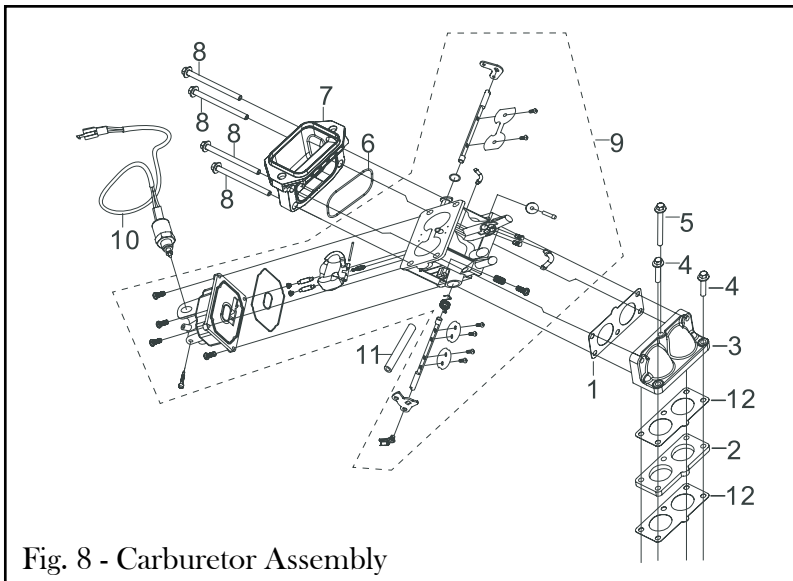
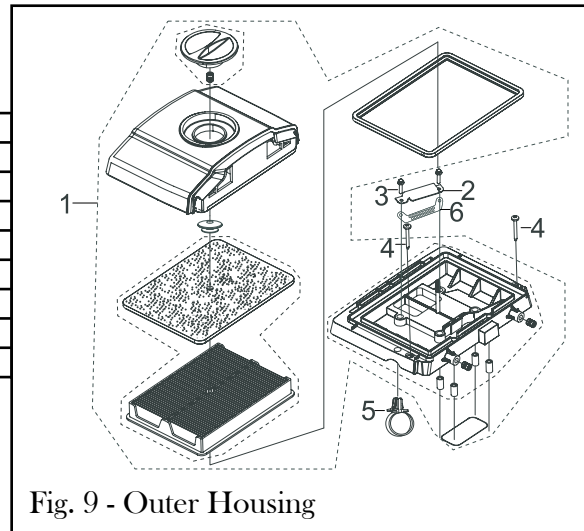


Fig. 8 - Carburetor Assembly

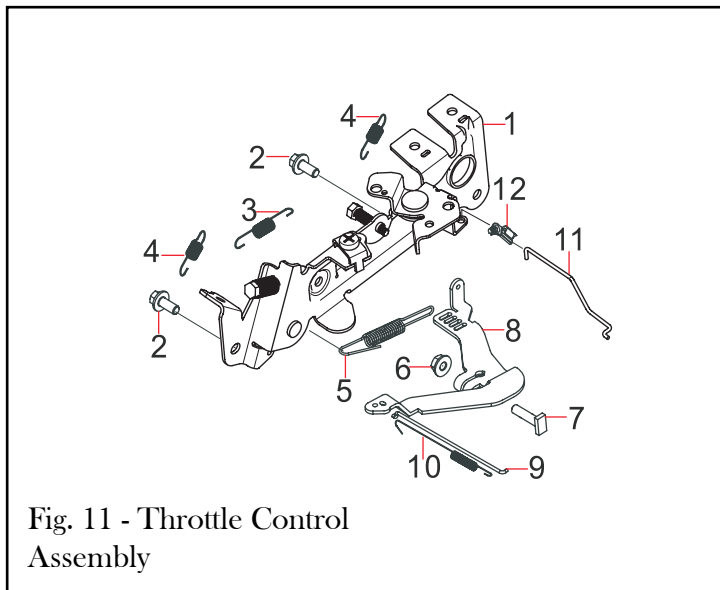
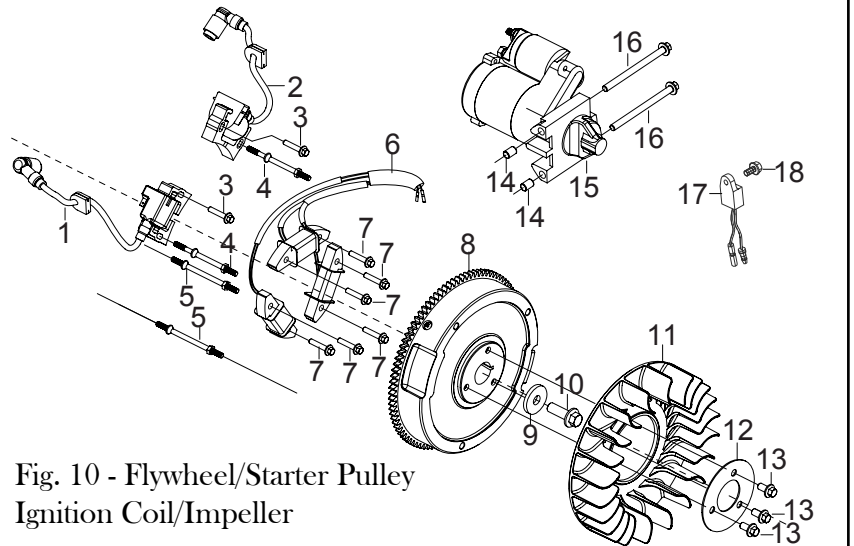
No.	Part Number	Description
8-1	5613K-0800 Carburetor Assembly	Carburetor Seal Gasket
8-2		Carburetor Gasket
8-3		Carburetor Intake Joint
8-4		Bolt
8-5		Bolt
8-6		Seal
8-7		Air Cleaner Connection
8-8		Bolt
8-9		Carburetor Assembly
8-11	5613K-0811	Solenoid Valve
8-12	5613K-0812	Fuel Line

EXPLODED VIEW AND PARTS LIST

No.	Part Number	Description
9-1	5613K-0900 Air Cleaner	Air Cleaner
9-2		Intake Tube Cover
9-3		Bolt
9-4		Screw
9-5		Clamp
9-6		Intake Tube Cover
9-7		Fuel Vapor Hose
9-8		Hose Clamp



No.	Part Number	Description
10-1	5613K-1001	Left Ignition Coil
10-2	5613K-1002	Right Ignition Coils
10-3	5613K-1003	Bolt
10-4	5613K-1004	Stud
10-5	5613K-1005	Stud
10-6	5613K-1006	Charge Coil Assembly
10-7	5613K-1007	Bolt
10-8	5613K-1008	Flywheel Assembly
10-9	5613K-1009	Washer
10-10	5613K-1010	Flywheel Bolt
10-11	5613K-1011	Impeller
10-12	5613K-1012	Impeller Setting Plate
10-13	5613K-1013	Bolt
10-14	5613K-1014	Pin
10-15	5613K-1015	Starter Assembly
10-16	5613K-1016	Bolt
10-17	5613K-1020	Oil Protector
10-18	Oil Protector	Bolt



No.	Part Number	Description	
11-1	5613K-1101 Throttle Assembly	Throttle Control Assembly	
11-2		Bolt	
11-6		Nut	
11-7		Governor Support Bolt	
11-8		Governor Support Assembly	
11-9		Governor Rod	
11-10		Throttle Returning Spring	
11-11		Choke Rod	
11-12		Choke Rod Clip	
11-3		5613K-1103	Governor Return Spring
11-4		5613K-1104	Choke Return Spring
11-5	5613K-1105	Governor Spring	

EXPLODED VIEW AND PARTS LIST

No.	Part Number	Description
13-1	5613K-1301	Fuel Tank
13-2	5613K-1302	Fuel Tank Support
13-3	5613K-1303	Sleeve
13-4	5613K-1304	Washer
13-5	5613K-1305	Bolt
13-6	5613K-1306	Fuel Cap
13-7	5613K-1307	Fuel Gauge
13-8	5613K-1308	Fuel Filter
13-9	5613K-1309	Fuel Cock
13-10	5613K-1310	Fuel Hose
13-11	5613K-1311	Clamp
13-12	5613K-1312	One-way Valve
13-13	5613K-1313	Fuel Tank Cushion
13-15	5613K-1315	Fuel Cap Chain
13-16	5613K-1316	Chain Lock Clip
13-17	5613K-1317	Fuel Vapor Tube
13-18	5613K-1318	Air Cleaner Tube
13-19	5613K-1300 Collector Assembly	Collection Plate
13-20		Bolt
13-21		Nut
13-22		Collector Cover
13-23		Bolt
13-24		Support
13-25		Nut
13-26		Collector
13-27	5613K-1327	Bellows

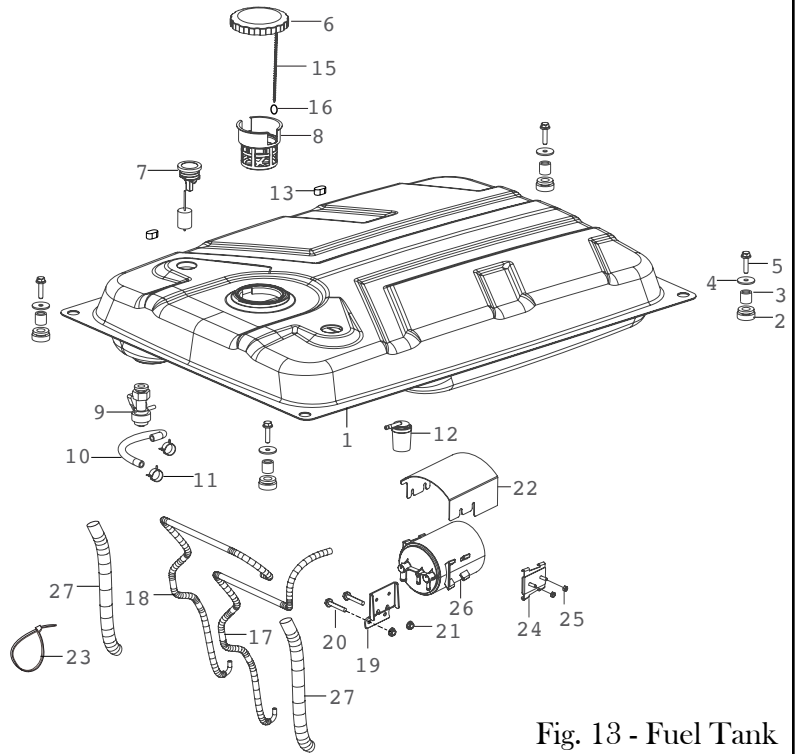


Fig. 13 - Fuel Tank

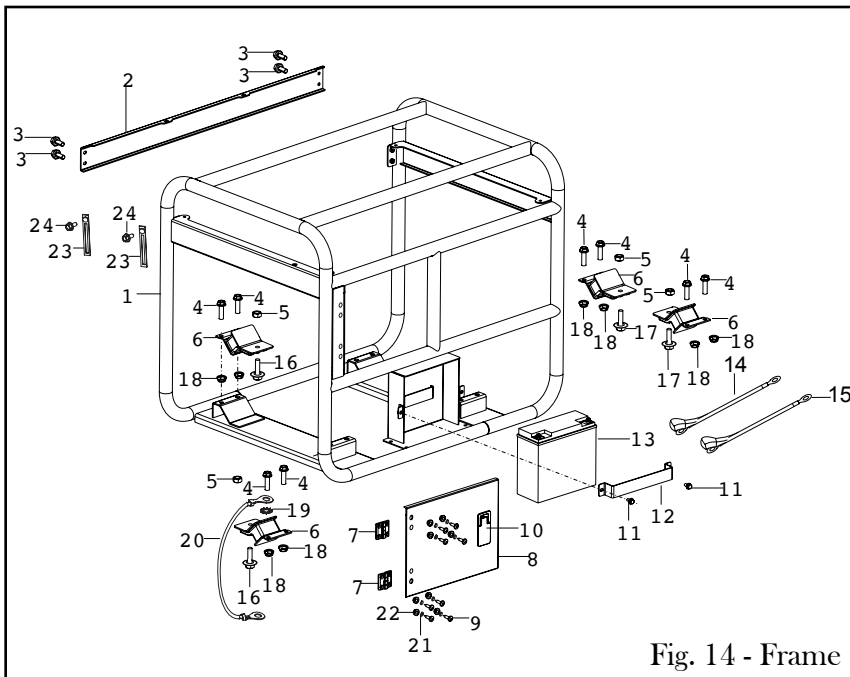


Fig. 14 - Frame

No.	Part Number	Description
14-1	5613K-1401	Frame
14-2	5613K-1402	Rear Plate
14-3	5613K-1403	Bolt
14-4	5613K-1404	Bolt
14-5	5613K-1405	Nut
14-6	5613K-1406	Frame Cushion
14-7	5613K-1407	Hinge
14-8	5613K-1408	Oil Panel Plate
14-9	5613K-1409	Screw
14-10	5613K-1410	Lock
14-11	5613K-1411	Bolt
14-12	5613K-1412	Battery Pressure Plate
14-13	5613K-1413	Battery
14-14	5613K-1414	Positive Wire
14-15	5613K-1415	Negative Wire
14-16	5613K-1416	Bolt
14-17	5613K-1417	Bolt
14-18	5613K-1418	Nut
14-19	5613K-1419	Lock Washer
14-20	5613K-1420	Ground Wire
14-21	5613K-1421	Spring Washer
14-22	5613K-1422	Nut

No.	Part Number	Description
18-1	5613K-1800	Lifting Hook
18-2		Bolt
18-3		Nut

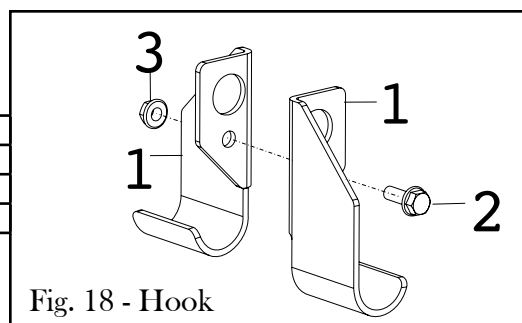


Fig. 18 - Hook

EXPLODED VIEW AND PARTS LIST

No.	Part Number	Description
15-1	5613K-1501	Washer
15-2	5613K-1502	Bolt
15-3	5613K-1503	Ignition Key
15-4	5613K-1504	Control Panel Assembly
15-5	5613K-1505	Regulator
15-6	5613K-1506	Control Panel Face
15-7	5613K-1507	Control Panel Housing
15-8	5613K-1508	Bolt
15-9	5613K-1509	Choke Lock Assembly
15-10	5613K-1510	Switch Assembly
15-11	5613K-1511	Circuit Breaker 30A
15-12	5613K-1512	Circuit Breaker 50A
15-13	5613K-1513	DC Socket
15-14	5613K-1514	Oil Indicator
15-15	5613K-1515	Circuit Breaker 20 A
15-16	5613K-1516	Timer
15-17	5613K-1517	Double Pole Breaker
15-18	5613K-1518	Ground Terminal
15-19	5613K-1519	240V Socket Assembly
15-20	5613K-1520	Water Proof Cover 240 Socket
15-21	5613K-1521	120V/240V Socket
15-22	5613K-1522	Water Proof Cover 120 Socket
15-23	5613K-1523	120V 30A Socket
15-24	5613K-1524	120V Socket Duplex
15-25	5613K-1525	Water Proof Cover Duplex
15-26	5613K-1526	Clip

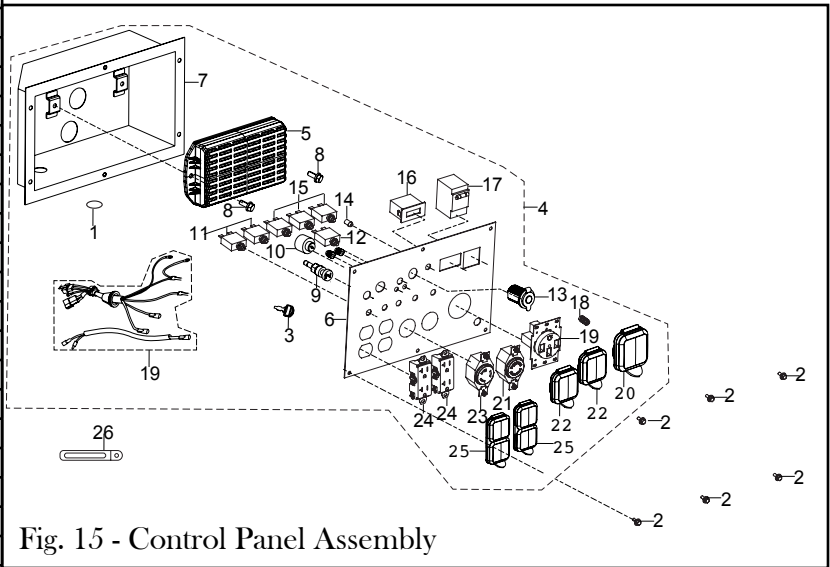


Fig. 15 - Control Panel Assembly

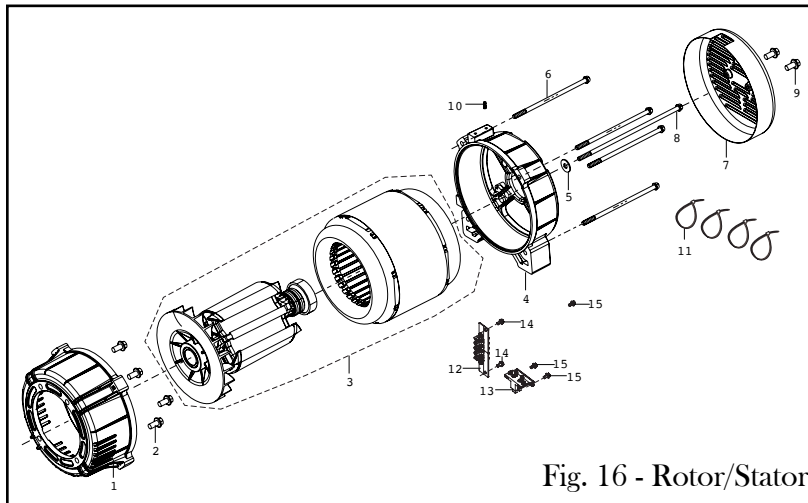


Fig. 16 - Rotor/Stator

No.	Part Number	Description
16-1	5613K-1601	Motor Front Cover
16-2	5613K-1602	Bolt
16-3	5613K-1603	Rotor/Stator Assembly
	5613K-1603-1	Stator
	5613K-1603-2	Rotor
16-4	5613K-1604	Stator Support
16-5	5613K-1605	Washer
16-6	5613K-1606	Bolt
16-7	5613K-1607	Stator End Cap
16-8	5613K-1608	Rotor Bolt
16-9	5613K-1609	Bolt
16-10	5613K-1610	Screw
16-11	5613K-1611	Band
16-12	5613K-1612	Wire Connection
16-13	5613K-1613	Carbon Brush
16-14	5613K-1614	Bolt
16-15	5613K-1615	Bolt

No.	Part Number	Description
17-1	5613K-1701	Handle
17-2	5613K-1702	Handle Support
17-3	5613K-1703	Bolt
17-4	5613K-1704	Lock Nut
17-5	5613K-1705	Handle Bracket
17-6	5613K-1706	Nut
17-7	5613K-1707	Frame Cushion Bracket
17-8	5613K-1708	Frame Cushion
17-9	5613K-1709	Wheel
17-10	5613K-1700 Axle Assembly	Axle
17-11		Washer
17-12		Lock Nut
17-13		Washer
17-14	5613K-1714	Bolt
17-15	5613K-1715	Pin Shaft
17-16	5613K-1716	Wire Tie

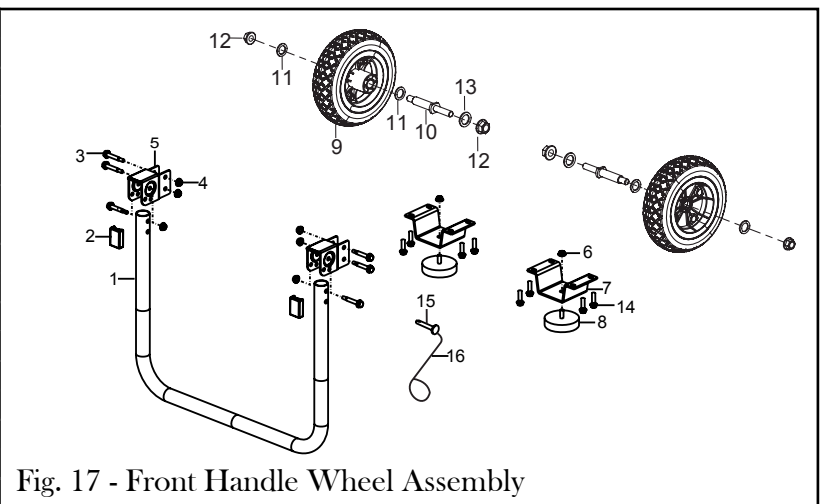
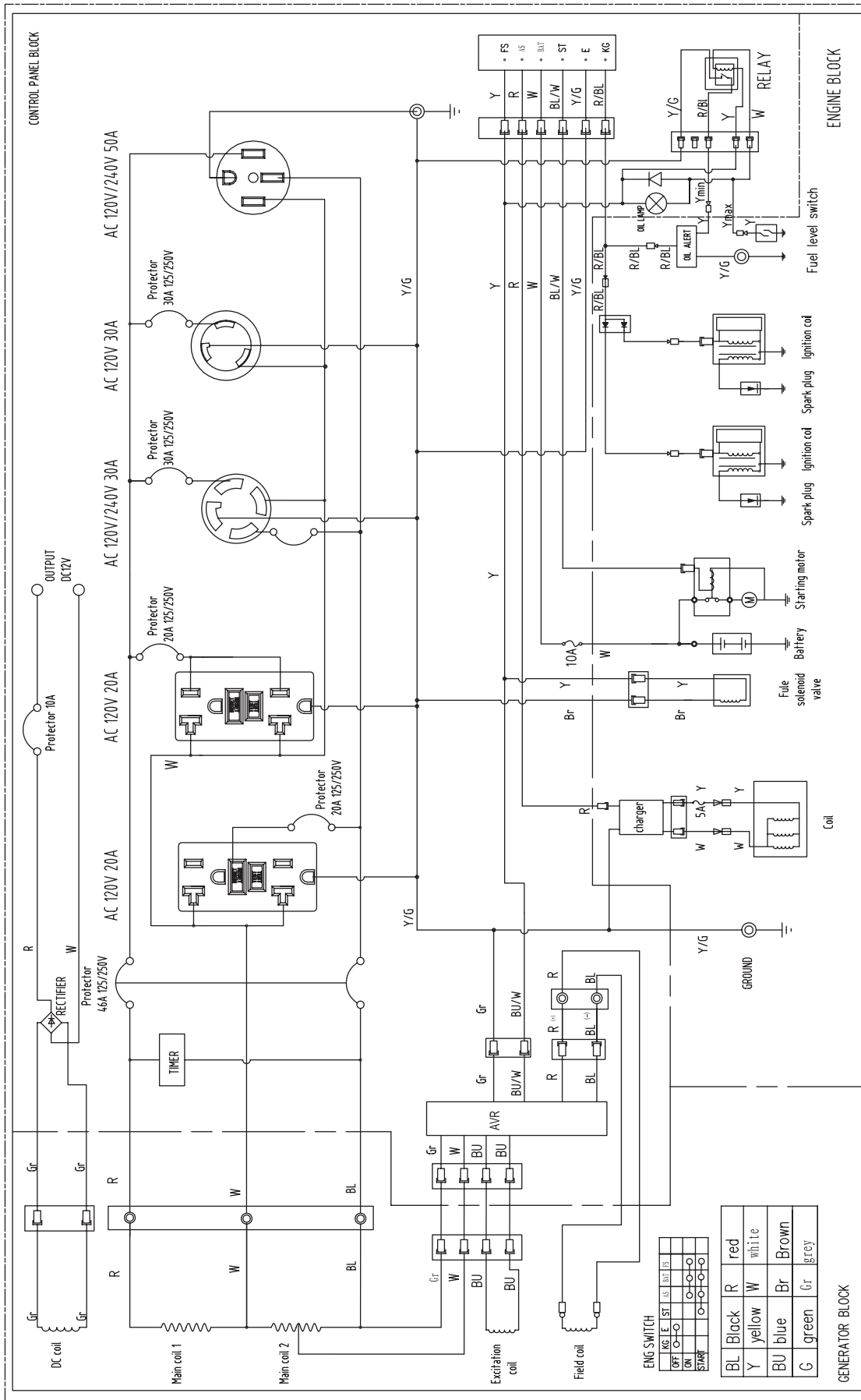


Fig. 17 - Front Handle Wheel Assembly

WIRING DIAGRAM



WARRANTY STATEMENT

Remember to save the receipt and to accurately fill out and mail the product registration card. Proof of purchase is required for all warranty work.

WEN® generators are under warranty to be free from defects in materials and workmanship for a period of two (2) years from date of original purchase. Generators used for Commercial or Rental use have a warranty period of 90 days from date of original purchase. Keep purchase receipt and mail in the product registration card for proof of purchase.

WEN® will repair or replace, at its discretion, any part that is proven to be defective in materials or workmanship under normal use during the two (2) years warranty period. Warranty repairs or replacements will be made without charge for parts or labor. Parts replaced during warranty repairs will be considered as part of the original product and will have the same warranty period as the original product.

To exercise the warranty, **DO NOT RETURN TO RETAILER**. Instead, call the toll free Customer Service number at (800) 232-1195 (Mon through Fri, 8 to 5 CST) and you will be instructed on where to take the generator for warranty service. Take the generator and proof of purchase (the receipt) to the repair facility recommended by the Customer Service Representative. Units that have been resold in some way and secondhand units are not covered under warranty.

This warranty is conveyed to the original purchaser and is not transferable. Generators contain parts that will wear out with usage and parts that need maintenance. The warranty does not cover wear or maintenance parts. Specifically, the warranty does not cover replacement of air filters, spark plugs, oil filters, fuel filters, brushes, or voltage regulators. Battery is only covered for 90 days after purchase.

The warranty does not extend to generators damaged or affected by fuel contamination, accidents, neglect, misuse, unauthorized alterations, use in an application for which the product was not designed and any other modifications or abuse.

WEN® is not liable for any indirect, incidental or consequential damages from the sale or use of this product. Any implied warranties are limited to two (2) years as stated in this written limited warranty. Some states do not allow the exclusion or limitation of incidental or consequential damages. Some states do not allow limitation on the length of an implied warranty. This warranty gives you specific legal rights, and you may have other rights that vary from state to state.

Thanks for remembering

